

# Instruction Manual

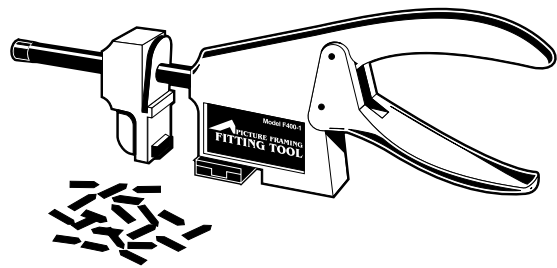
## PICTURE FRAMING FITTING TOOL

Model F400-1



### Description

The Model F400-1 Fitting Tool has been designed to provide long lasting quality operation with easy to use features. Its primary purpose is to drive pins, points and nails into wood picture frame moulding to securely hold framing materials in place. The Model F400-1 Fitting Tool features a unique and revolutionary rotating turret to accommodate all of the most popular style points. \*Patent Pending.



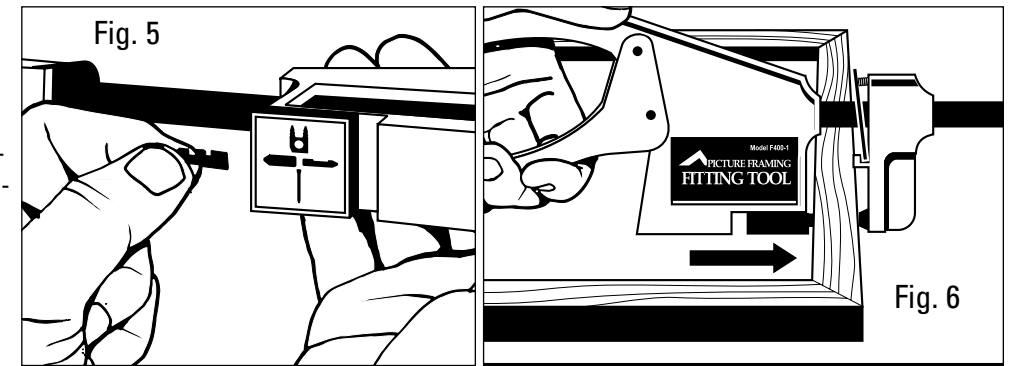
Rev. 8/04

Reference Part No. L988

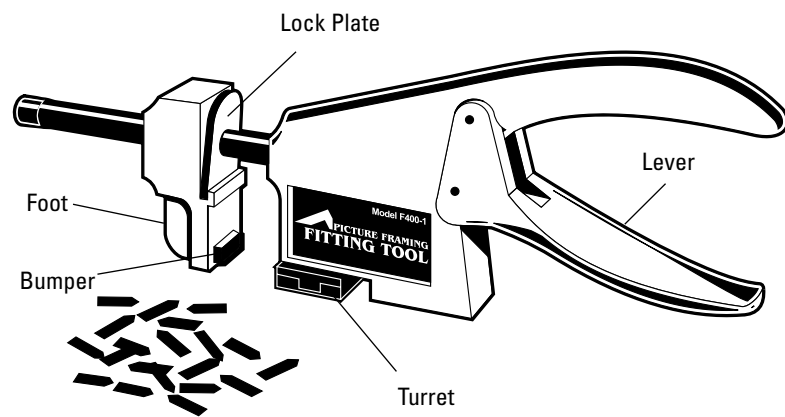
### Operation

#### A. Driving Insert

1. Slide **foot** away from turret.
2. Load **insert** into **turret slot**. Be sure point end faces out (Fig. 5).
3. Align **body** and tip of insert against frame. Rest body on framing material. Slide **foot** until bumper rests firmly against frame (Fig. 6).



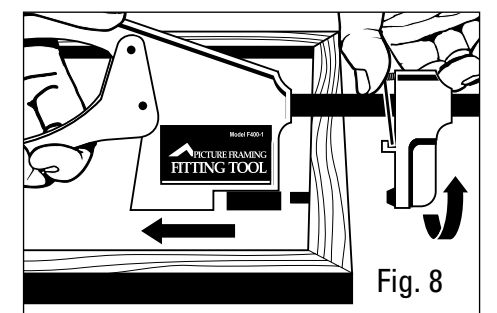
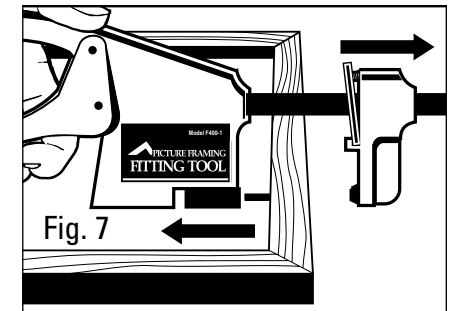
### Identification



- Lever** - Moveable handle which drive inserts.
- Foot** - Sliding stop block.
- Lock Plate** - Locks foot secure.
- Turret** - Insert holder which rotates. Holds four insert styles.
- Flexible Insert** - Bendable insert used to hold framing material inside frame.

1

4. Firmly squeeze **handle** and drive **insert** into the wood until **turret** stops against frame (Fig. 7).
- Note-for best results keep body **flat** on material while squeezing.
5. Squeeze **lock plate** on **foot** and rotate foot to release (Fig. 8).
6. Slide **body** back along top of framing material to remove from **insert**.
7. Repeat to finish.



5

### Preparation

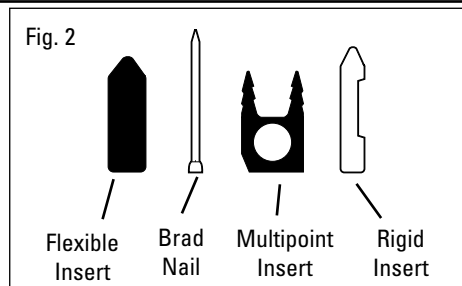
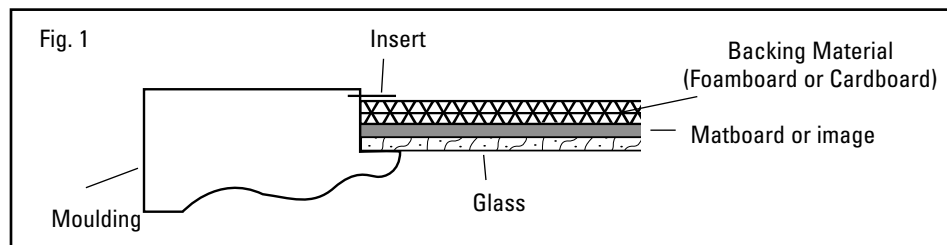
#### A. Fill frame

1. Turn over frame.
2. Load glass, matboard and image and backing material into frame (Fig. 1).

#### B. Choose an insert (Fig. 2).

1. **Flexible Insert**- Bendable insert used in photo frames where material can easily be changed.
- Brad Nails** - Economical insert. Can be used for securing canvas.
- Multipoint Insert** - Bendable insert and used to hold fillets in place.
- Rigid Insert** - Firm insert used in permanent applications.

continued on next page



2

### Trouble Shooting

- Problem:** Points bend when being inserted.  
**Solution:** Try using a different insert more suited to hardwood. Make sure the turret is resting flush on back material being framed.
- Problem:** Mats or framed material buckles after being secured.  
**Solution:** Let the turret rest gently on back of material when inserting points. Do not angle inserts down to "pinch" material being secured.
- Problem:** Fitting tool handle does not release after point insertion.  
**Solution:** Release pressure by squeezing lock plate on the foot and swivel foot to clear moulding, then withdraw turret in opposite direction of insertion.

6

### Warranty

Logan Graphic Products, Inc. ("Logan") warrants the Fitting Tool - Model F400-1, to be free from defects in parts and workmanship for a period of one year from the date of original purchase. Logan warrants that it will either repair or replace, at its sole discretion, any necessary replacement parts found to be defective. Should the product need to be returned to Logan for repair or replacement parts, authorization for any return must come from Logan in writing. Costs of returning the product to Logan, including insurances, shall be borne by the purchaser. Logan shall not be liable for any damages or losses, incidental or consequential, direct or indirect, arising from the use of this product. This warranty extends only to the original purchaser and is not assignable or transferable. This warranty is in lieu of all other warranties, expressed or implied.

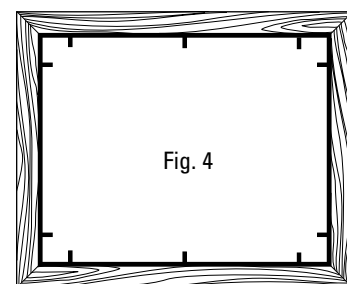
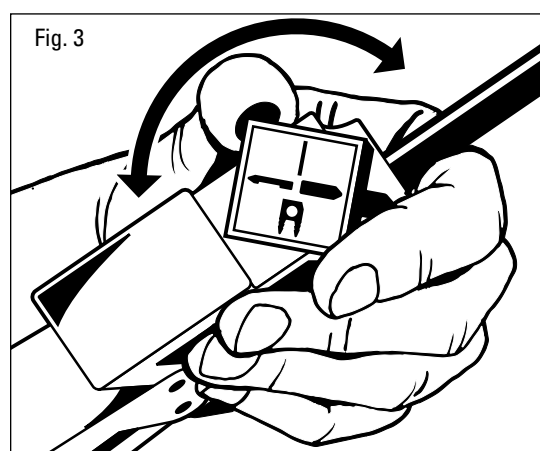
### Preparation continued

#### B. Choose an insert (continued)

2. Rotate **turret** so insert choice faces **foot** (Fig. 3).

#### C. Determine insert spacing and quantity

1. Corner spacing is generally 1" (3cm) to 2" (5cm) from corner.
2. Side spacing is generally 4" (10cm) to 5" (13cm) apart (Fig. 4).



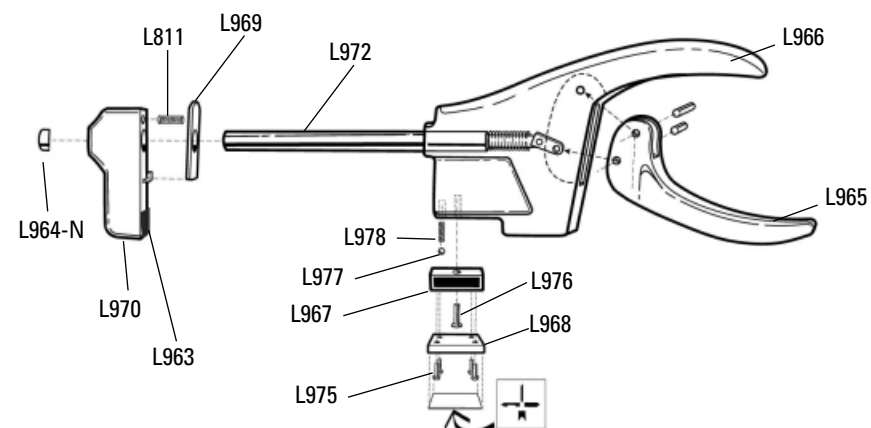
3

### Instruction Manual

### FITTING TOOL

Model F400-1

7



No.	Description	Qty.
L811	Lock Plate Spring	1
L963	Bumper	1
L964-N	End Cap	1
L965	Handle	1
L966	Body	1
L967	Turret-Top	1
L968	Turret-Bottom	1
L969	Lock Plate	1
L970	Foot	1
L972	Drive Rod	1
L975	Turret Screw	4
L976	Pivot Screw	1
L977	Ball	1
L978	Ball Spring	1



Logan Graphic Products Inc.,  
1100 Brown Street, Wauconda, IL 60084  
Toll Free 1 800 331 6232  
www.logangraphic.com

Rev. 8/04

Reference Part No. L988

